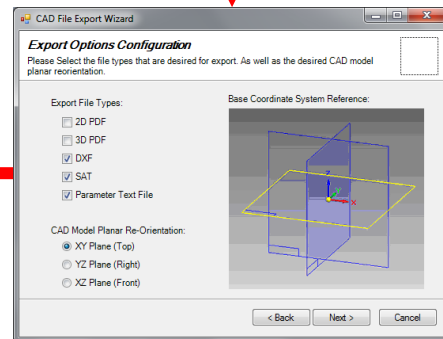
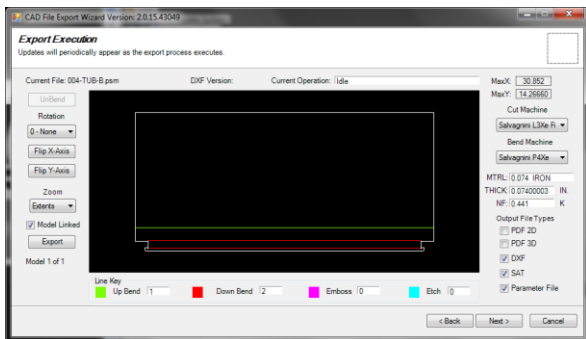
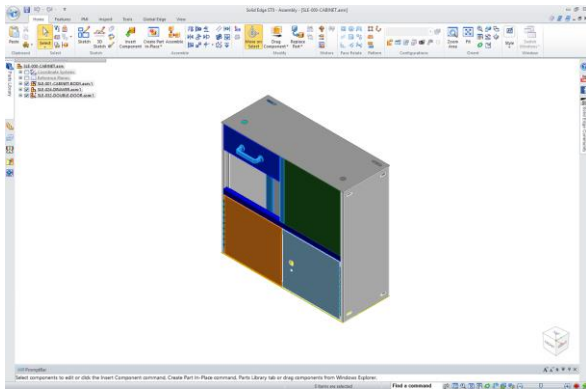


Global Edge® 2017 – Solid Edge Interface

The Power to Succeed in a Global Market

Global Edge® 2017 – Solid Edge Interface provides a simplified method to automatically export your 3D Solid Edge CAD Models into DXF files that are prepared for your manufacturing systems. **Global Edge** will drill through your assembly CAD Models and automatically identify sheet metal components. This includes the generation and export of flatten DXF files that are oriented properly for your nesting software and machine tools. **Global Edge** can also export SAT files that are properly oriented for your bending machine tools.



Try it Free for 30 Days

Try the **Global Edge® 2017 – Solid Edge Interface** free for 30 days to discover how your company can accelerate your engineering process by reducing the amount of time it takes to generate information for the shop floor.

[Click Here to Register & Download](#)

Key Features

- Automatic Drill Down of Sheet Metal Parts from Assembly
- Automatic Generation and Export of DXF Files
- Automatic Bending Orientation of 3D SAT Model Files

Key Benefits

- ✓ Eliminates manual generation of DXF files
- ✓ Automates orientation of CAD files for bending machines
- ✓ Speeds up manufacturing engineering process

LOGIC DESIGN
corporation

Global Edge® is a Registered Trademark of Logic Design Corporation. Copyright © 2017 Logic Design Corporation All Rights Reserved

Transforming Engineering & Manufacturing ...

www.lcdglobal.com

1530 South Norwood Drive • New Berlin, WI 53146-1419 • Phone: 262-695-1300